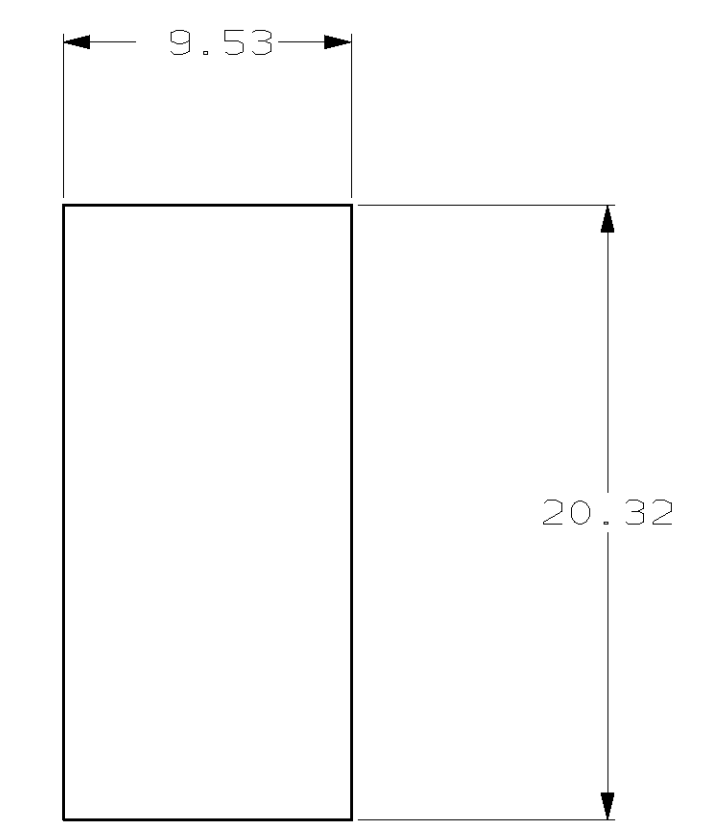
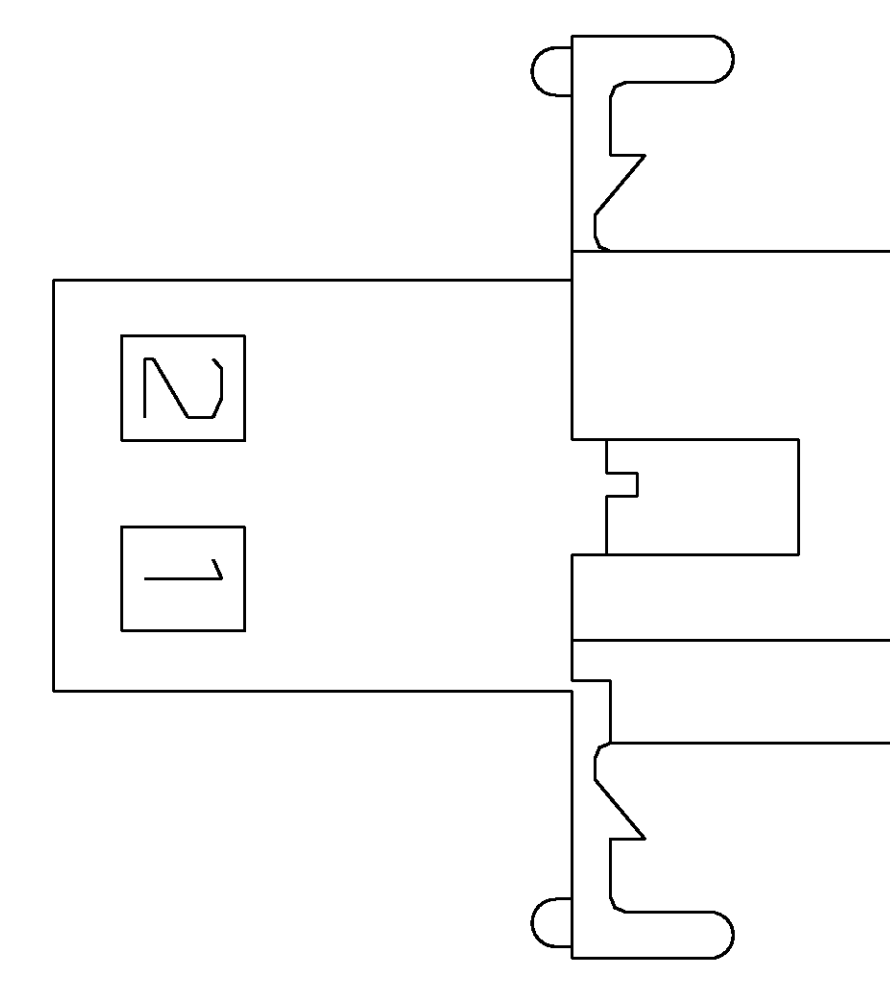
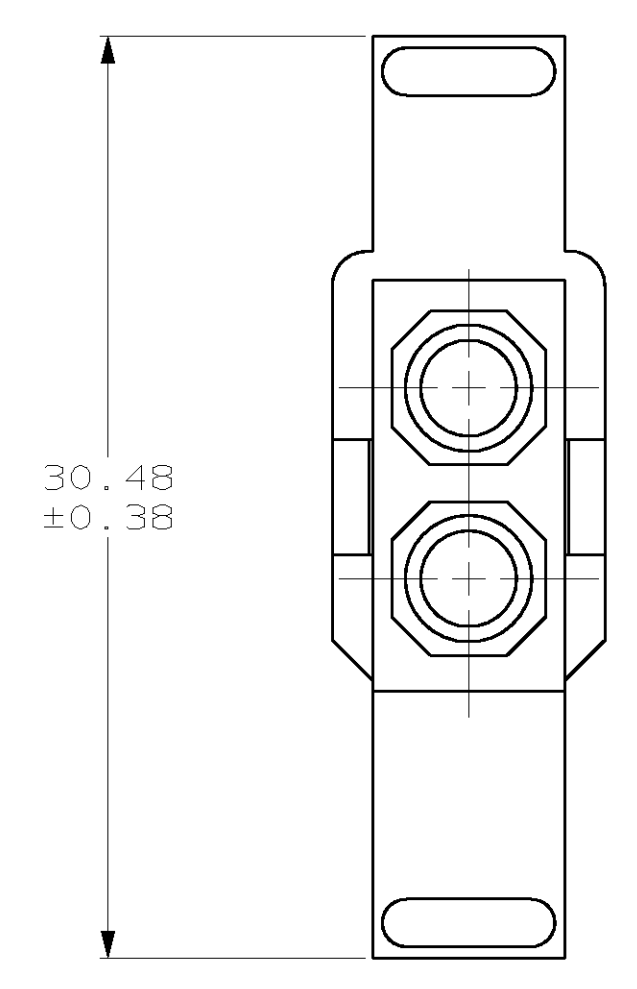
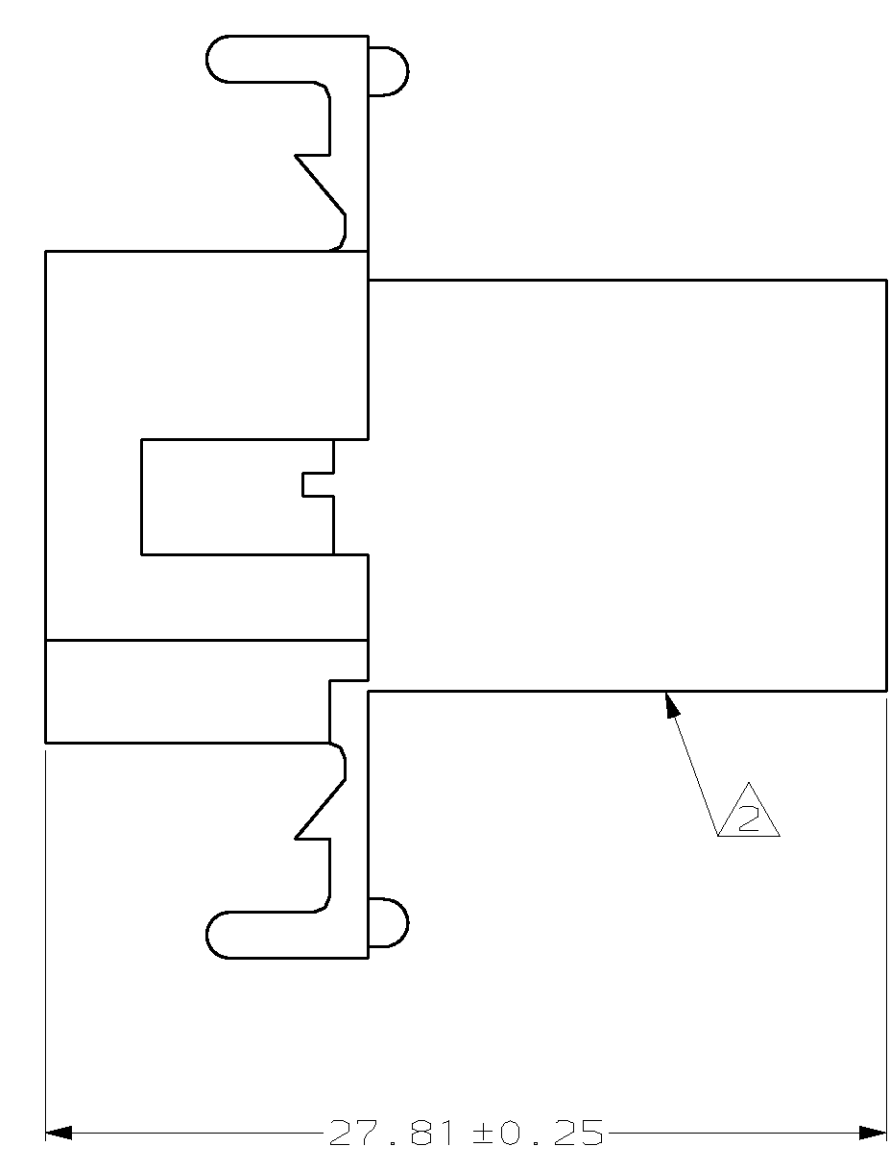
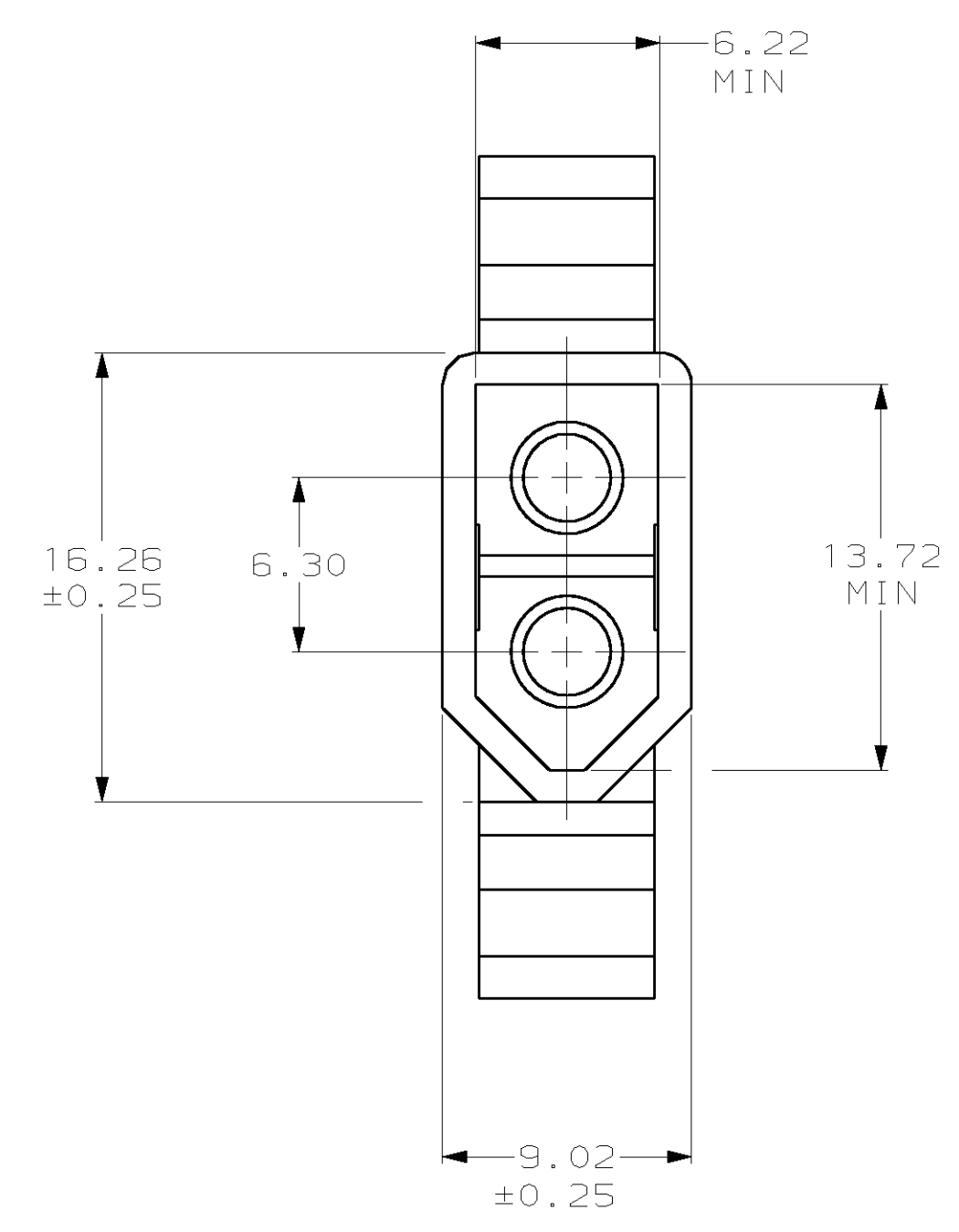
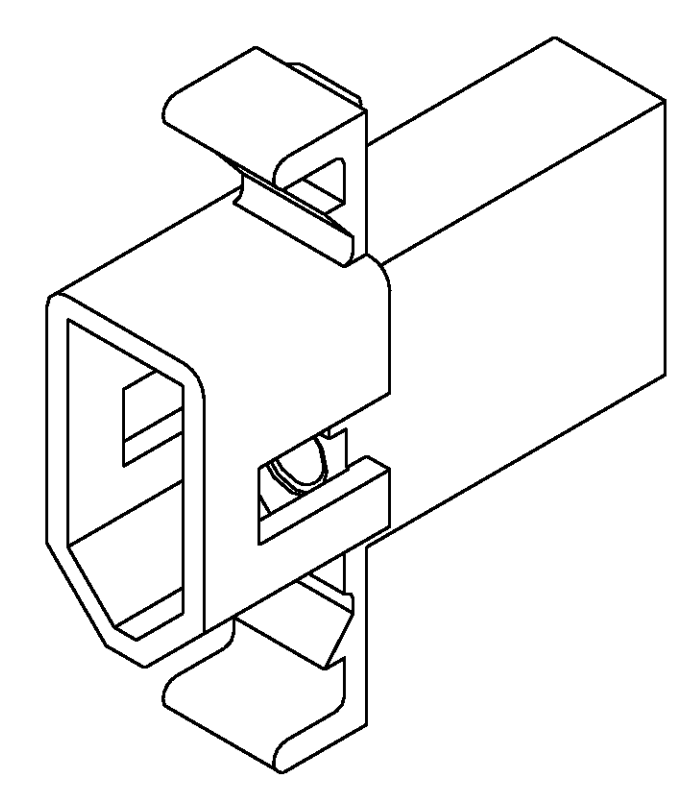


LOC	DIST	REV	DATE	BY	CHK	APPV
CM	53	M	18-JUN-02	KW	DC	

- RECOMMENDED PANEL THICKNESS 2.29 MAX.
- MARKING FOR UL AND CSA LOGOS LOCATED ON THIS SURFACE.



RECOMMENDED PANEL CUT OUT



3-DIMENSIONAL MODEL NTS

MM	IN
30.48	1.200
27.81	1.095
20.32	.800
16.26	.640
13.72	.540
9.53	.375
9.02	.355
6.30	.248
6.22	.245
2.29	.090
0.38	.015
0.25	.010
0.13	.005
MM	IN

CONVERSION TABLE



770068-1
PART NUMBER

THIS DRAWING IS A CONTROLLED DOCUMENT.		DWN K. WHITAKER 2-24-98	AMP Incorporated Harrisburg, PA 17105-3608
DIMENSIONS:		CHK R. SWING 2-24-98	
mm	TOLERANCES UNLESS OTHERWISE SPECIFIED:	APPV K. COBLE 2-24-98	NAME PLUG, 2 CIRCUIT, .093 PIN AND SOCKET
0 PLC ±-	1 PLC ±-	PRODUCT SPEC	SIZE A1
2 PLC ±0.13	3 PLC ±-	APPLICATION SPEC	CAGE CODE 00779
4 PLC ±-	ANGLES ±-	FINISH	DRAWING NO 770068
MATERIAL NYLON, JL 94V-2, NATURAL	WEIGHT	CUSTOMER DRAWING	RESTRICTED TO -
SCALE 4:1		SHEET 1 OF 1	REV M